

1

2

3

4

5

6

RevNo

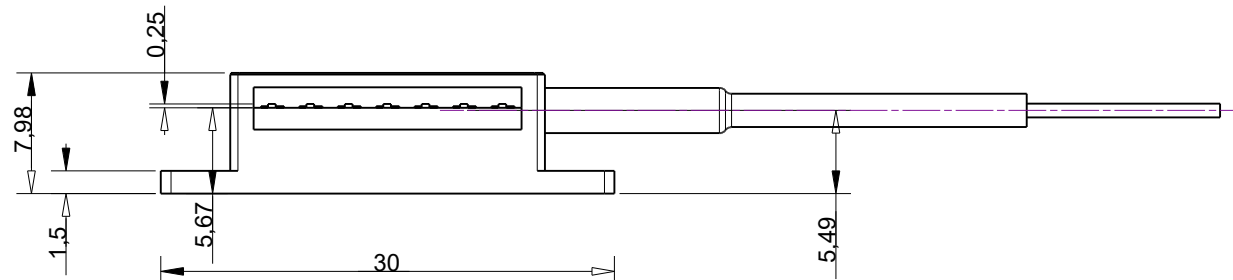
Revision note

Date

Signature

Checked

A



A

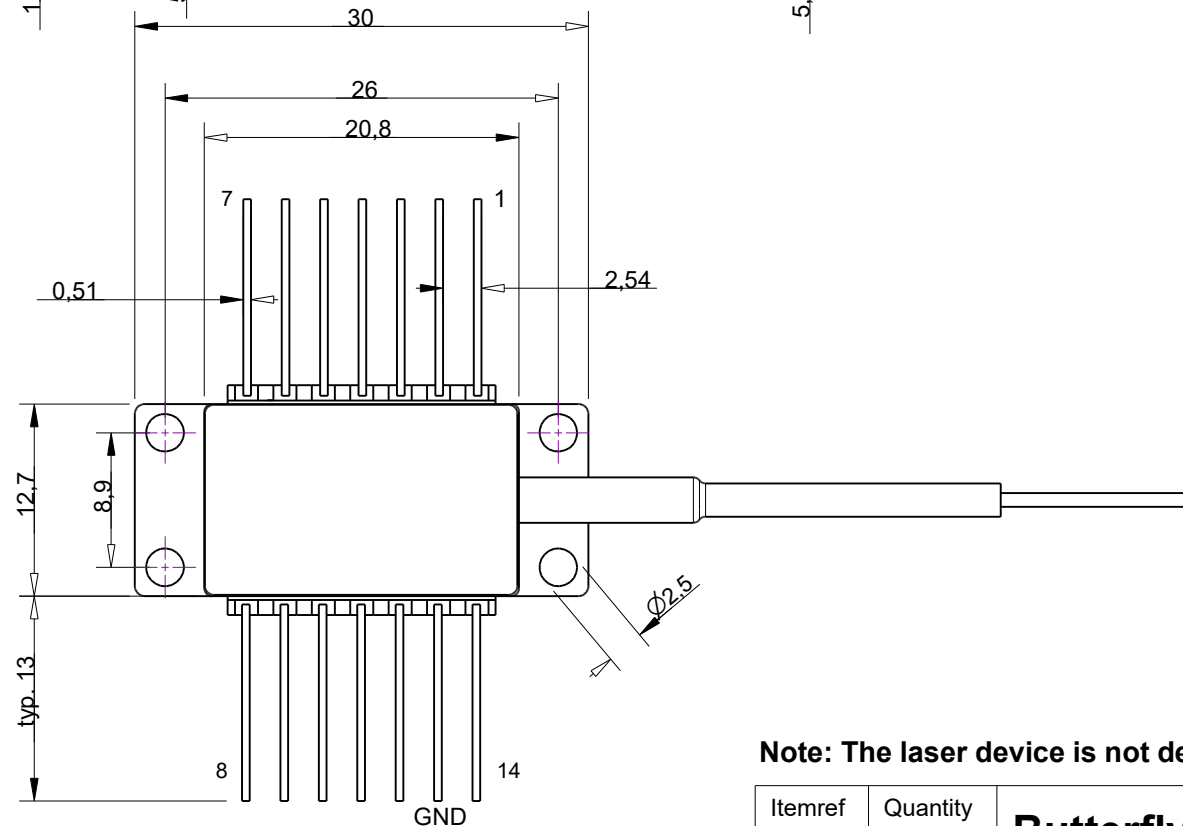
B

Pin Assignment

- | | |
|--------------------------|--------------------------|
| 1: TEC anode (+) | 14: TEC cathode (-) |
| 2: thermistor | 13: case |
| 3: N/C | 12: N/C |
| 4: N/C | 11: N/C |
| 5: thermistor | 10: LD anode (+) |
| 6: N/C | 9: LD cathode (-) |
| 7: PD (-) (if installed) | 8: PD (+) (if installed) |

B


C



C

D

Note: The laser device is not designed for any reverse operation.

Itemref	Quantity	Butterfly BF2 SM			Article No./Reference	
Drawn by M. Legge	Date 04.04.2012	Approved by - date	Material	File name	Scale 2:1	
Nanosystems and Technologies GmbH 		nanoplus Nanosystem and Technologies GmbH Oberer Kirschberg 4, 97218 Gerbrunn, Germany © copyright nanoplus GmbH 2012, all rights reserved. nanoplus GmbH reserves the right to modify these specifications at any time without notice and is not liable for errors.		Drawing No. 1	Edition	
				All dimensions are in mm		Sheet 1

D

1

2

3

6